

PCB CONNECTOR

375 PCB HOUSING

| Poles | Receptacle housing for PCB Tab terminal | Plug housing for female terminal |
|-------|---|----------------------------------|
| 4 | <p>MG 643681</p> | <p>MG 610557 MG 613692</p> |

187II PCB HOUSING

| | | |
|---|--------------------|------------------|
| 8 | <p>MG 643430-5</p> | <p>MG 652220</p> |
|---|--------------------|------------------|

1809 PCB HOUSING

| | | |
|----|------------------|------------------|
| 11 | <p>MG 643314</p> | <p>MG 651917</p> |
| 11 | <p>MG 643335</p> | <p>MG 651525</p> |
| 19 | <p>MG 643312</p> | <p>MG 612102</p> |

PCB CONNECTOR

0409 PCB HOUSING

| Poles | Receptacle housing for PCB Tab terminal | Plug housing for female terminal |
|-------|--|----------------------------------|
| 24 | <p>MG 642910-5(A-TYPE) MG 642974(B-TYPE)</p> | <p>MG 652911</p> |
| | <p>MG 643678 (HZZ-NON BRACKETTYPE)</p> <p>(040III 14P+090II 10P)</p> | |

ASC PCB HOUSING

| | | |
|----|------------------------|------------------|
| 16 | <p>MG 643200</p> | <p>MG 653198</p> |
| | <p>MG 643715 (HZZ)</p> | |

PCB CONNECTOR

0407 PCB HOUSING

| Poles | Receptacle housing for PCB Tab terminal | Plug housing for female terminal |
|--|---|--------------------------------------|
| | <p>MG 641791(PCB LOCK)</p> | <p>(040 16P+070 10P)</p> |
| 26 | <p>MG 642505(SCREW LOCK)</p> | <p>MG 611336</p> |
| | <p>MG 642924</p> | <p>MG 631337-7</p> |
| | <p>MG 643336(HZT-PCBLOCK)</p> | |
| Receptacle housing for PCB Tab terminal | | |
| 42 | <p>MG 643859(PCBASSY-HZT)</p> | <p>MG 643911(PCBASSY-VRT)</p> |
| | | |
| | | (070 10P+040 32P) |

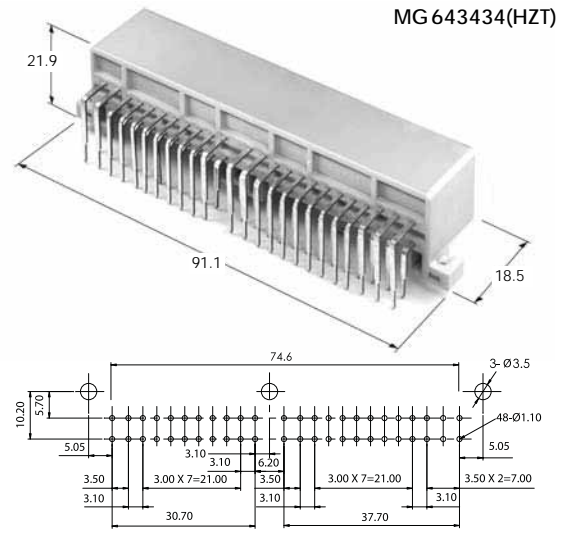
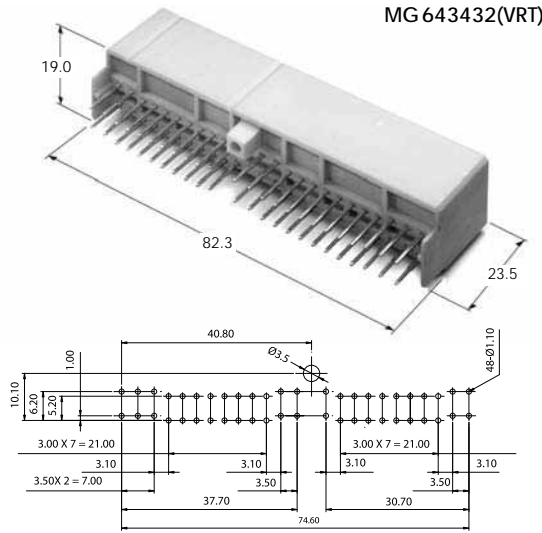
PCB CONNECTOR

0407 PCB HOUSING

Poles

Receptacle housing for PCB Tab terminal

48

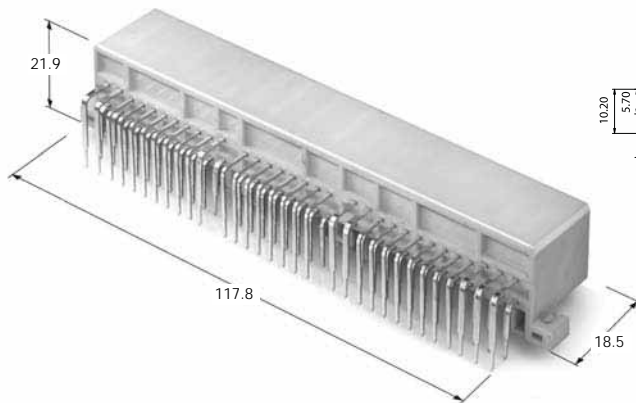


(040 32P+070 16P)

Suitable Connector: MG 611336(26P), MG 611334(22P)

MG 643909(HZT)

64



(040 48P+070 16P)

Suitable Connector: MG 611336(26P), MG 611334(22P), MG 611332(16P)

ECU 64P CONNECTOR

MG 642419-5



(040 48P+070 16P)

Suitable Connector: MG 611336(26P), MG 611334(22P), MG 611332(16P)

PCB CONNECTOR

090II PCB HOUSING

| Poles | Receptacle housing for PCB Tab terminal | | | | | |
|-------|---|--|--|-------------|-------------|--|
| 6 | MG 640665-5 | | | MG 643054-5 | MG 640743-5 | |
| | | | | | | |
| 8 | MG 640892 | | | MG 641485 | | |
| | | | | | | |
| 10 | MG 641854, MG 643708(Copper Sn) | | | MG 642108 | | |
| | | | | | | |
| 11 | MG 642016 | | | | | |
| | | | | | | |
| 12 | MG 642466 | | | MG 644011 | | |
| | | | | | | |
| 14 | MG 641487 | | | MG 642666 | | |
| | | | | | | |

PCB CONNECTOR

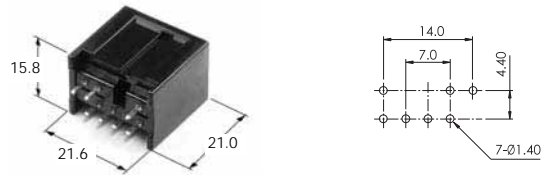
SDLII PCB HOUSING

Poles

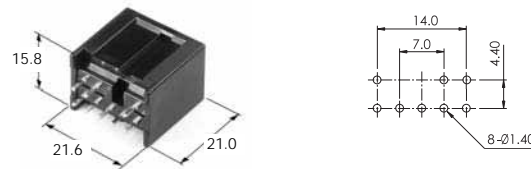
Receptacle housing for PCB Tab terminal

MG 642835

7

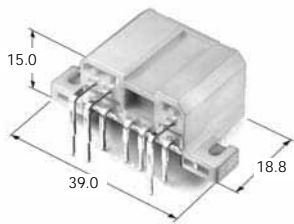


MG 643687-5

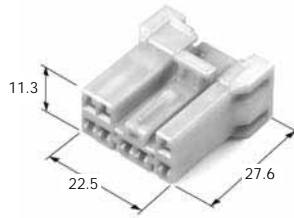


8

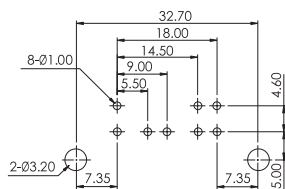
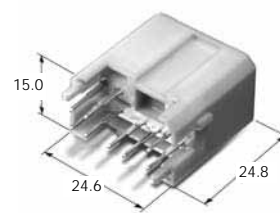
MG 640861



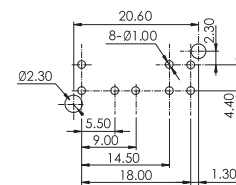
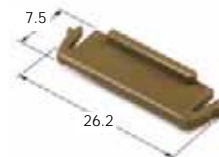
MG 610896



MG 641009

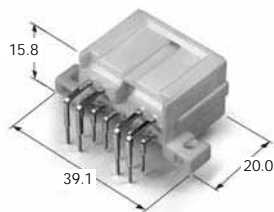


MG 630897-7(R/H)

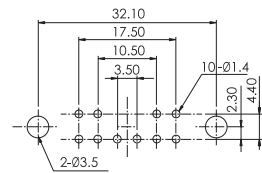
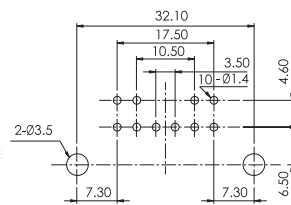
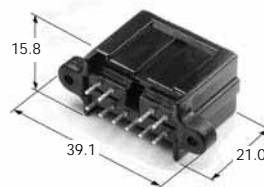


MG 641481

10

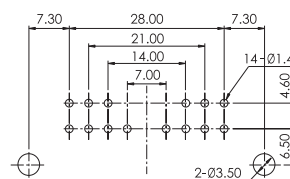
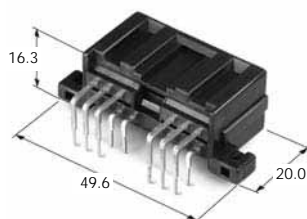


MG 641921



MG 641483-5

14



PCB CONNECTOR

050 PCB HOUSING

| Poles | Receptacle housing for PCB Tab terminal | Plug housing for female terminal |
|-------|---|-----------------------------------|
| 10 | <p>MG 641732</p> | <p>MG 651580</p> |
| 23 | <p>MG 642179</p> <p>MG 641875</p> | <p>MG 651563</p> |
| 38 | <p>MG 641872</p> | <p>MG 651598</p> <p>MG 651563</p> |

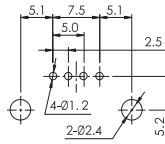
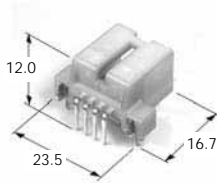
PCB CONNECTOR

040III PCB HOUSING

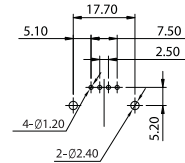
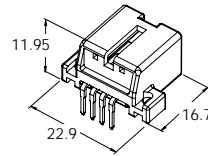
Poles

Receptacle housing for PCB Tab terminal

MG 643142

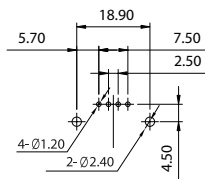
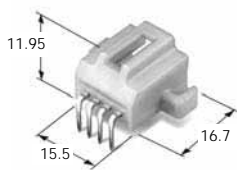


MG 643161(HZT)

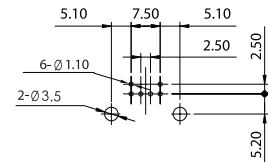
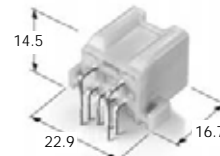


4

MG 643403 (HZT)

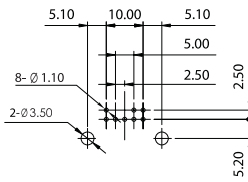
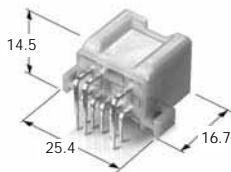


MG 643324 (HZT)



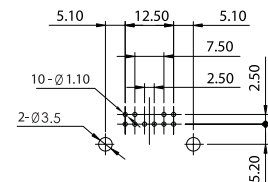
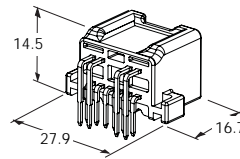
6

MG 643326 (HZT)



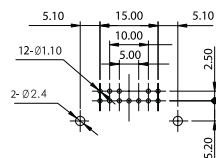
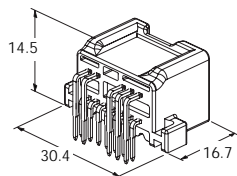
8

MG 643328 (HZT)



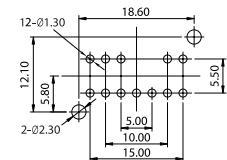
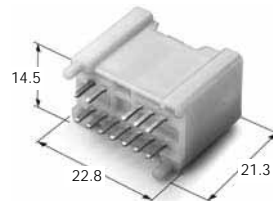
10

MG 643163 (HZT)

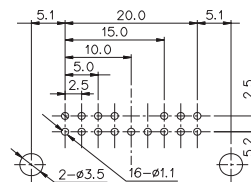
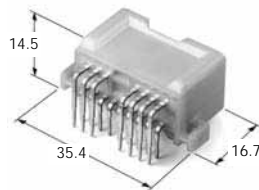


12

MG 643458 (VRT)

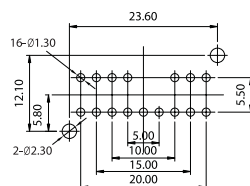


MG 643037

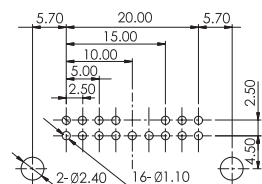
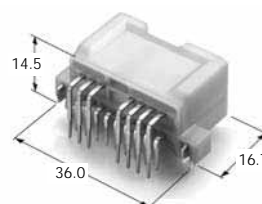


16

MG 643460 (VRT)



MG 643643 (HZT)

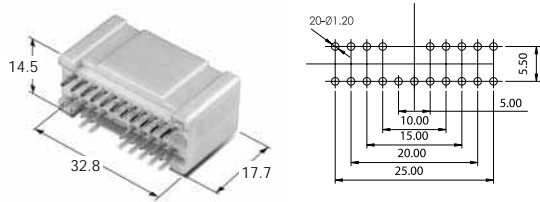


PCB CONNECTOR

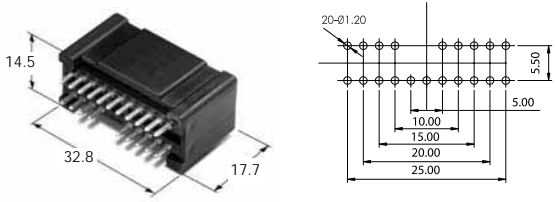
040III PCB HOUSING

Poles Receptacle housing for PCB Tab terminal

MG 643722 (VRT)

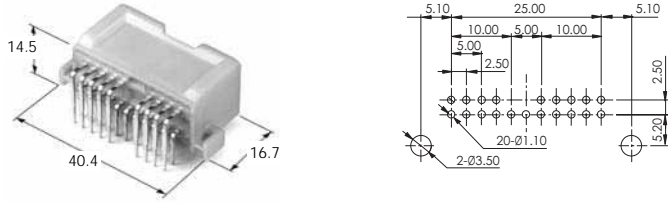


MG 643985 (VRT)

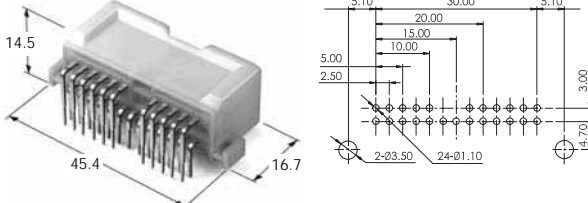


20

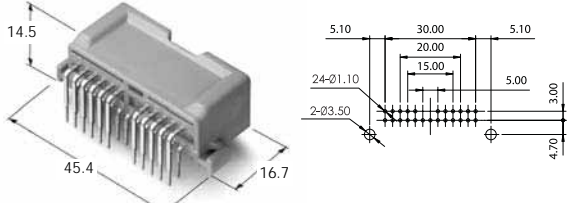
MG 643039



MG 643057



MG 643535 (HZZ)

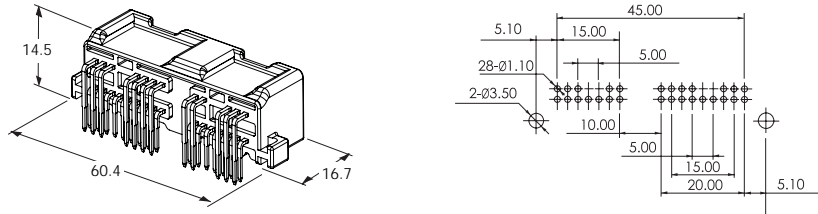


24

Suitable Connector: MG 653033

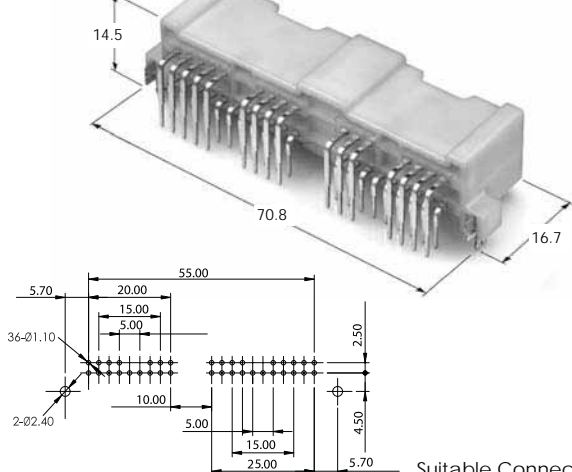
Suitable Connector: MG 653537

MG 643320



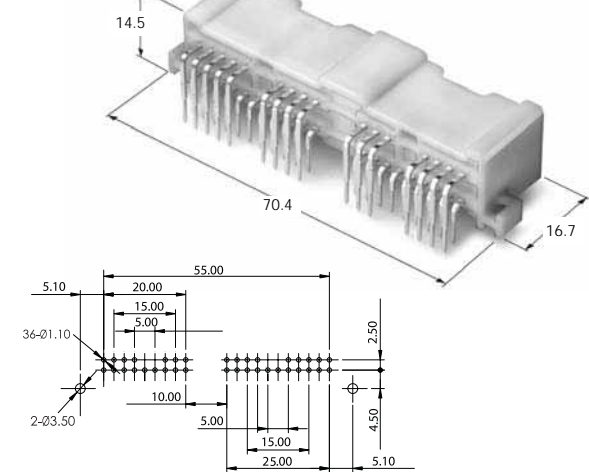
28

MG 643645 (HZZ)



36

MG 643322 (HZZ)



Suitable Connector: MG 653019(16P)+MG 653026(20P)

PCB CONNECTOR

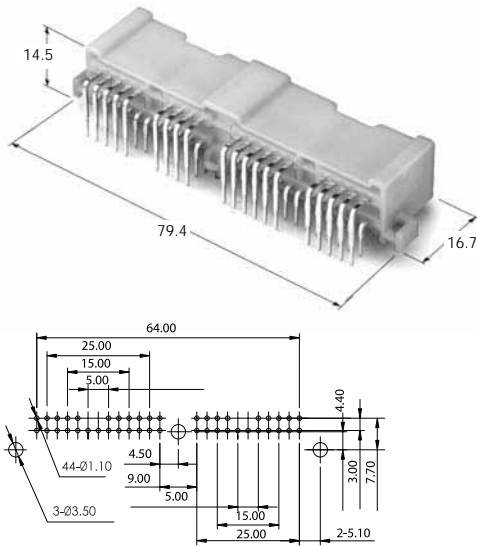
040III PCB HOUSING

Poles

Receptacle housing for PCB Tab terminal

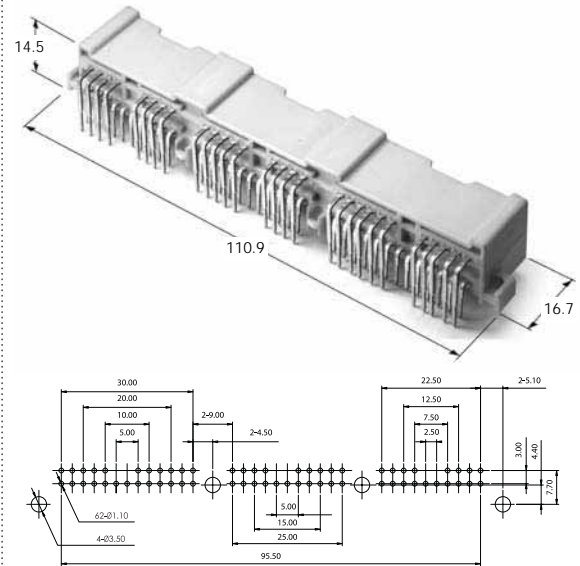
MG 643354 (HZT)

44



MG 643906 (HZT)

62



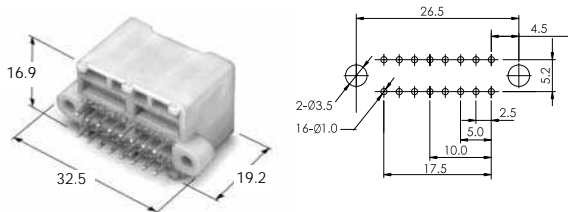
040II PCB HOUSING

Receptacle housing for PCB Tab terminal

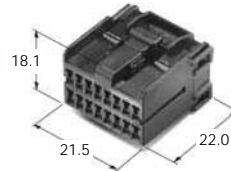
Plug housing for female terminal

MG 644125

16



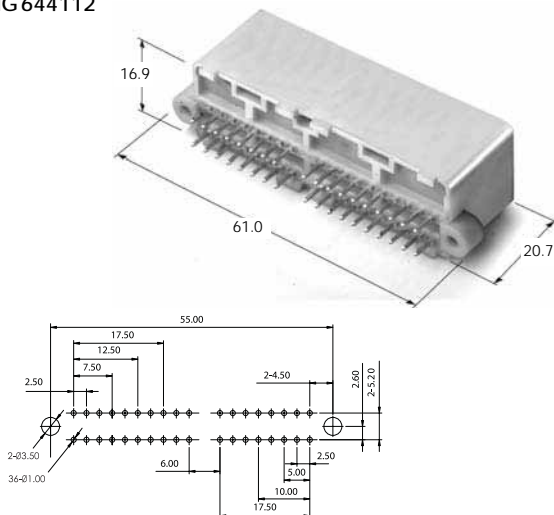
MG 614127



Suitable Terminal: ST 731078-3

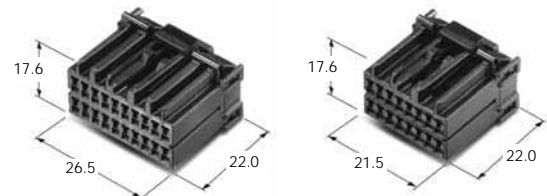
MG 644112

36



MG 614119(20Poles)

MG 614120(16Poles)


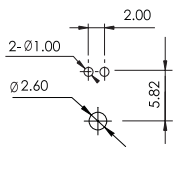
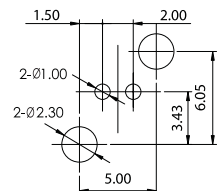
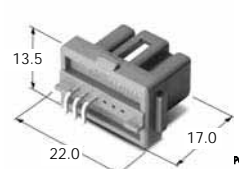

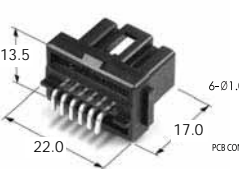
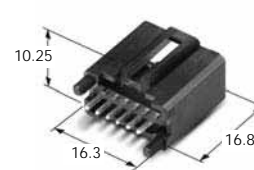
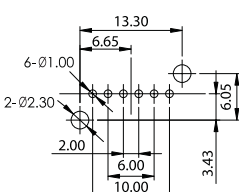
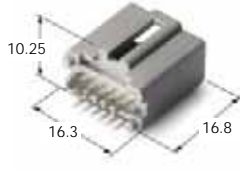
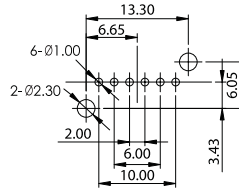
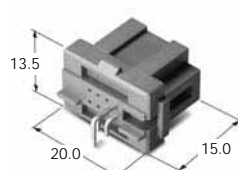
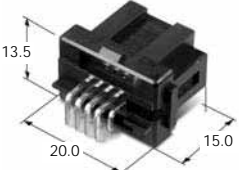
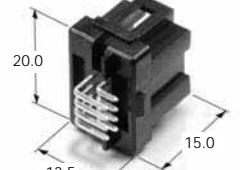
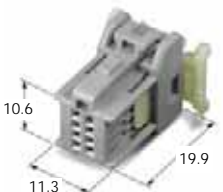
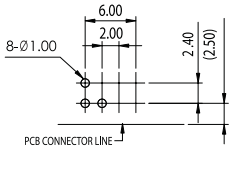
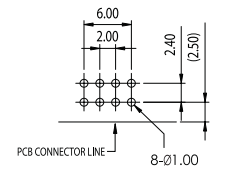
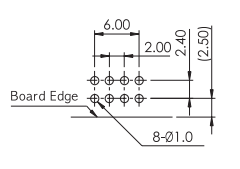
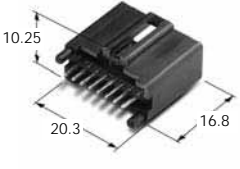
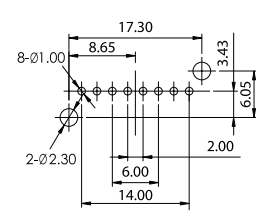


Suitable Connector:
MG 614119(20P)+MG 614120(16P)

Suitable Terminal: ST 731078-3

PCB CONNECTOR

030 PCB HOUSING

| Poles | Receptacle housing for PCB Tab terminal | | | |
|-------|---|---|--|--|
| 2 | MG 643748-5 (HZA)  | MG 644008-5 (VRT)  |  | |
| | MG 643757-7 (HZA)  | MG 643783-40 (HZA)  | MG 643358-5 (HZA)  | |
| 6 | MG 643648-5 (VRT)  |  | MG 643942-4 (VRT)  |  |
| | MG 643758-5 (HZA)  | MG 643608-5 (HZA)  | MG 642852  | Plug housing for female terminal MG 651434  |
| 8 |  |  |  | |
| | MG 643996-5 (VRT)  |  | | |