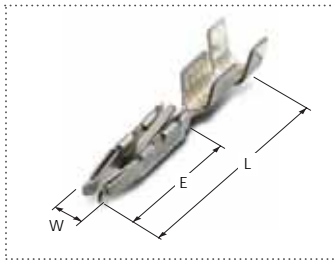


# PCB(ECU88P) CONNECTOR

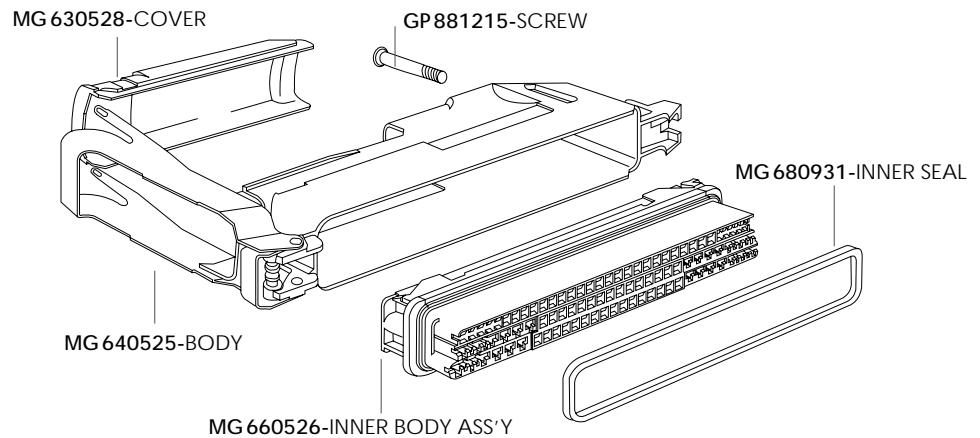
## TERMINAL



Part No.	Wire Range		Tab Thick.	Material		Dimension(mm)			Type
	AWG	mm <sup>2</sup>		Thick.	Finish	L	E	W	
ST730661-3	22-20	AVSS 0.3-0.5	0.8	0.3	Phos Bronze Pre-Tin	18.65	9.75	2.40	
ST730662-3	18-16	AVSS 0.85-1.25	0.8	0.3	Phos Bronze Pre-Tin	18.65	9.75	2.40	

## ECU88P CONNECTOR

- ▶ These are multi-pole 88p connectors of 3.5mm and 5mm pitch composite structure, facilitating power and signal circuit structural design.
- ▶ They are high-quality, high-performance connectors which fully meet OBD- II standards.
- ▶ Suitable for a system transmitting signals sent by sensor in micro-computer equipped in an engine controlling unit.
- ▶ Strong durability against vibration and excellent connection.
- ▶ Double Locking system with inner body.



MG650955

