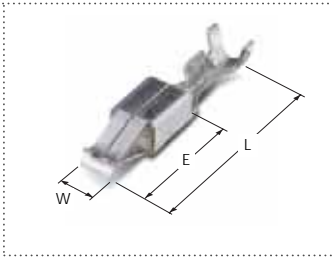


PCB(ECU55P) CONNECTOR

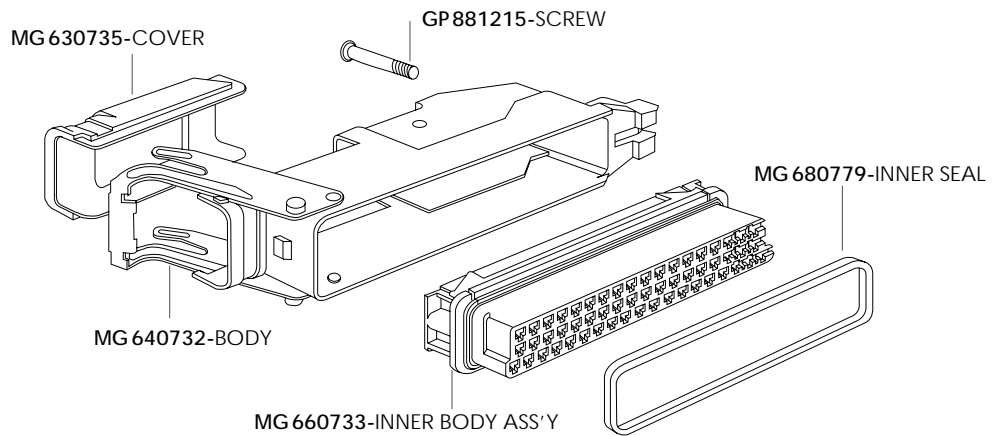
TERMINAL



Part No.	Wire Range		Tab Thick.	Material		Dimension(mm)			Type
	AWG	mm ²		Thick.	Finish	L	E	W	
ST730616-3	22-20	AVSS 0.3-0.5	0.8	0.3	Copper Alloy Pre-Tin	18.9	9.85	2.70	
ST730684-3									
ST730612-3	18-14	AVSS 0.85-2.0	0.8	0.3	Copper Alloy Pre-Tin	18.9	9.85	2.70	
ST730683-3									

ECU 55P CONNECTOR

- ▶ Suitable for a system transmitting signals sent by sensor in micro-computer equipped in an engine controlling unit.
- ▶ Strong durability against vibration and excellent connection.
- ▶ Multi-pole, 55pin with 5mm pitch
- ▶ Double Locking system with inner body.



MG650740-5

