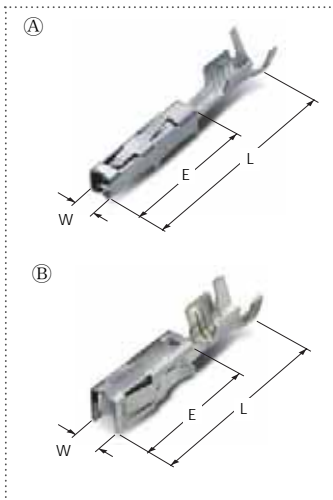


# PCB(ECU & TCU 40P) CONNECTOR

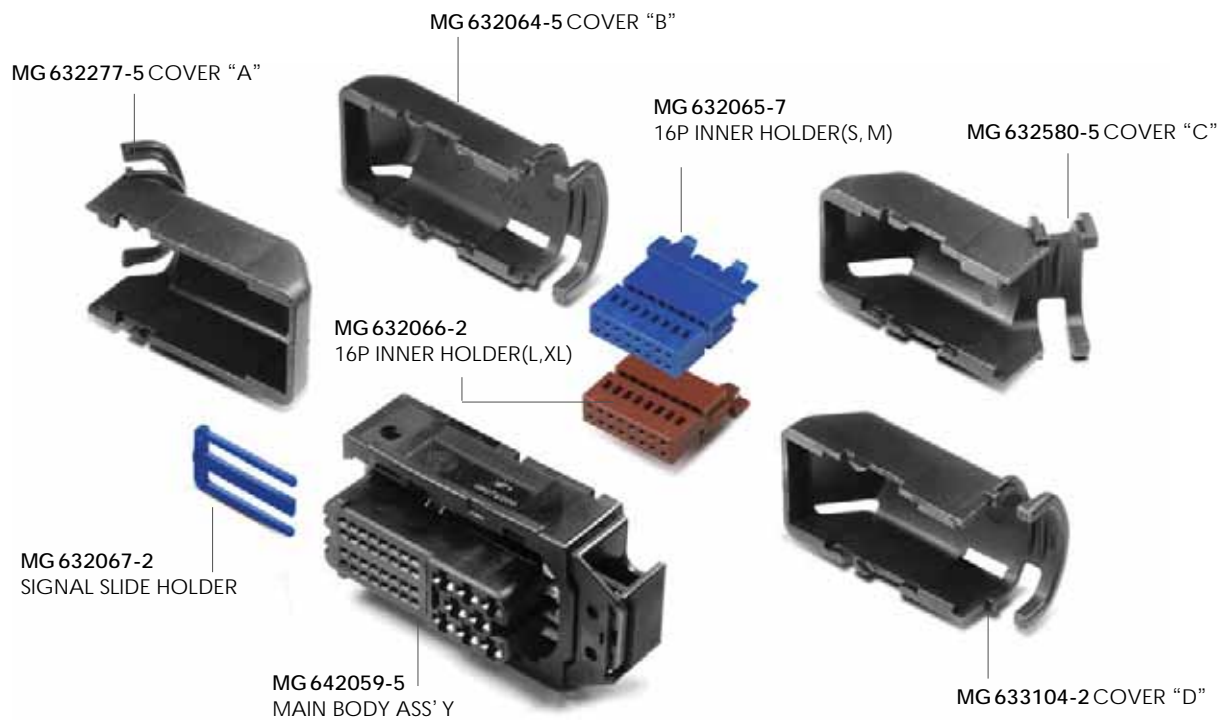
## ECU 40P CONNECTOR

MG 642059-5



### TERMINAL

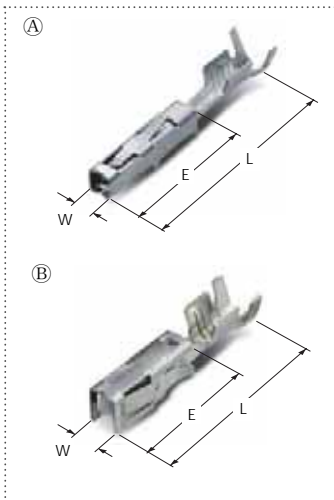
| Part No.    | Wire Range |                  | Tab Thick. | Material |                         | Dimension(mm) |      |     | Type |
|-------------|------------|------------------|------------|----------|-------------------------|---------------|------|-----|------|
|             | AWG        | mm <sup>2</sup>  |            | Thick.   | Finish                  | L             | E    | W   |      |
| ST 730799-3 | 22-20      | AVSS<br>0.3-0.5  | 0.64       | 0.2      | Copper-Alloy<br>Pre-Tin | 15.9          | 8.7  | 1.9 | Ⓐ    |
| ST 730800-3 | 16-14      | AVSS<br>0.25-2.0 | 0.64       | 0.2      | Copper-Alloy<br>Pre-Tin | 18.3          | 10.0 | 3.0 | Ⓑ    |
| ST 730807-3 | 20-18      | AVSS<br>0.5-0.85 | 0.64       | 0.2      | Copper-Alloy<br>Pre-Tin | 18.3          | 10.0 | 3.0 |      |
| ST 730933-3 | 13         | AVSSXF<br>2.5    | 0.64       | 0.2      | Copper-Alloy<br>Pre-Tin | 18.3          | 10.0 | 3.0 |      |



# PCB(ECU & TCU 81P) CONNECTOR

## ECU 81P CONNECTOR

MG 641838-5



### TERMINAL

| Part No.    | Wire Range |                   | Tab    |        | Material                | Dimension(mm) |      |     | Type |
|-------------|------------|-------------------|--------|--------|-------------------------|---------------|------|-----|------|
|             | AWG        | mm <sup>2</sup>   | Thick. | Thick. |                         | L             | E    | W   |      |
| ST 730799-3 | 22-20      | AVSS<br>0.3 -0.5  | 0.64   | 0.2    | Copper-Alloy<br>Pre-Tin | 15.9          | 8.7  | 1.9 | Ⓐ    |
| ST 730800-3 | 16-14      | AVSS<br>1.25 -2.0 | 0.64   | 0.2    | Copper-Alloy<br>Pre-Tin | 18.3          | 10.0 | 3.0 | Ⓑ    |
| ST 730807-3 | 20-18      | AVSS<br>0.5 -0.85 | 0.64   | 0.2    | Copper-Alloy<br>Pre-Tin | 18.3          | 10.0 | 3.0 |      |
| ST 730933-3 | 13         | AVSSXF<br>2.5     | 0.64   | 0.2    | Copper-Alloy<br>Pre-Tin | 18.3          | 10.0 | 3.0 |      |

MG 633105-5 COVER "D"

MG 631834-7  
38P INNER HOLDER(L,XL)

MG 631833-2  
38P INNER HOLDER(S, M)

MG 631840-5 COVER "A"

MG 632142-5  
COVER "B"

MG 633423-5 COVER "E"

MG 631839-2  
SIGNAL SLIDE HOLDER

MG 641838-5  
MAIN BODY ASS'Y

MG 633103-5 COVER "C"