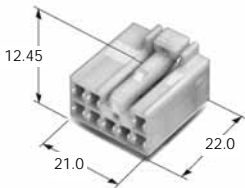
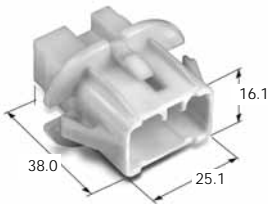
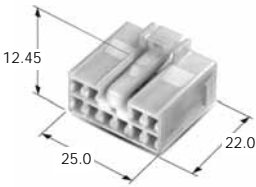
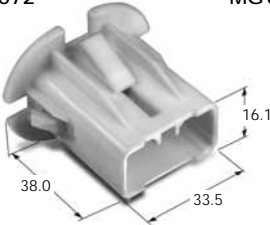

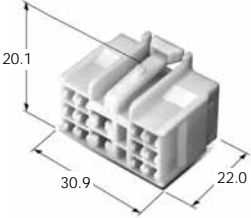
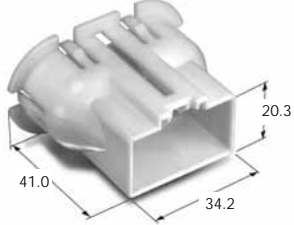
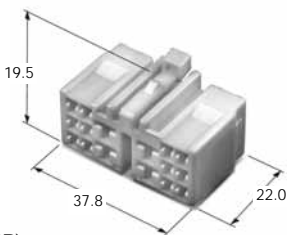
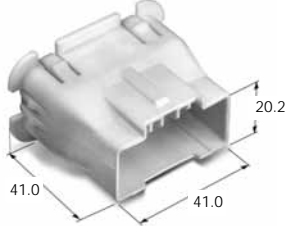
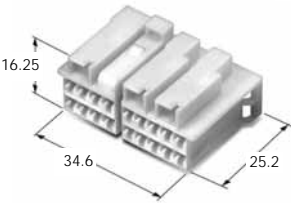
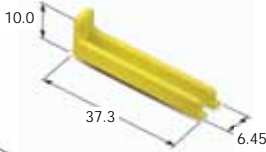
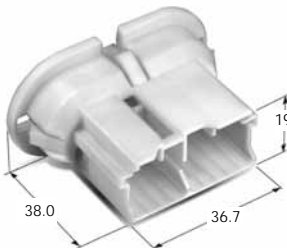




DOOR CONNECTOR

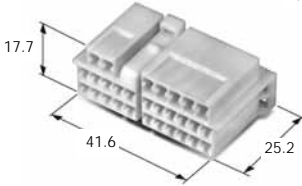
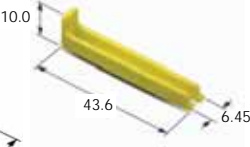
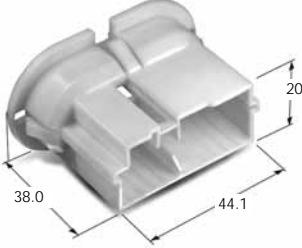


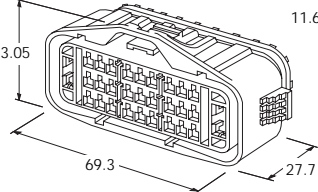
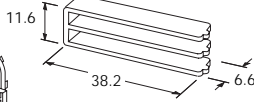

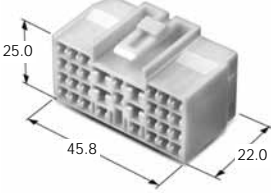
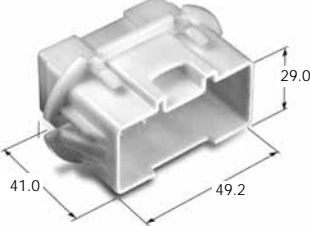
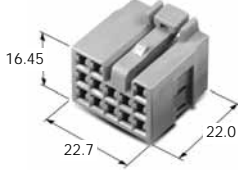

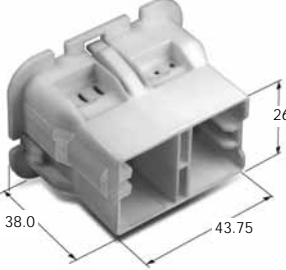
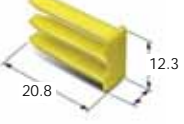
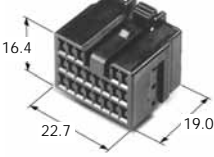
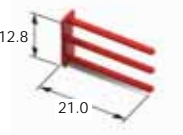
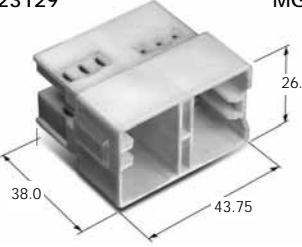

- ▶ Multi-pole, non-waterproof connector linking wire harness between the body panel and the door panel of an automobile.
- ▶ Double Locking system with a separated Rear Holder prevents improper locking of terminal when inserted into housing.
- ▶ By using Grommet, it is water resistant although it is not waterproof.
- ▶ Significantly improved wire installation and assembly efficient between body panel and door panel.

HOUSING

Poles	Plug housing for female terminal	Receptacle housing for male terminal
8	<p>MG 651050</p>  <p>(090II 8P)</p>	<p>MG 641763</p> 
10	<p>MG 651056</p>  <p>(090II 10P)</p>	<p>MG 622072</p>  <p>MG 632073-3</p> 
14	<p>MG 651379</p>  <p>(187II 2P+090II 12P)</p>	<p>MG 641814</p> 
16	<p>MG 651882-3(R)</p>  <p>(187II 4P+090II 12P)</p>	<p>MG 642570</p> 
21	<p>MG 610688</p>  <p>MG 630690-3</p>  <p>(187II 3P+070 18P)</p>	<p>MG 620689</p>  <p>MG 630920-2</p>  <p>MG 630691-3</p> 

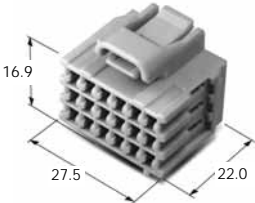
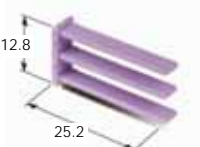
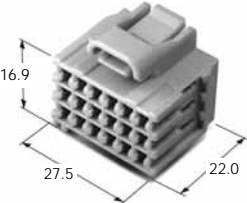
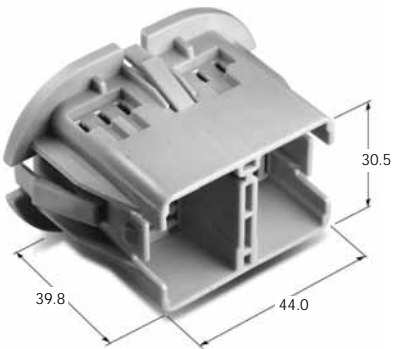
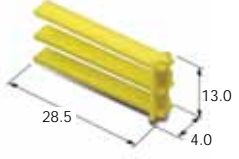
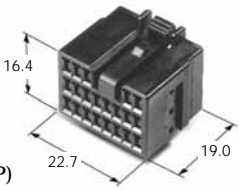

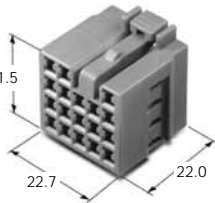
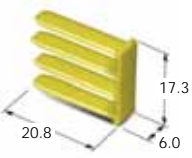
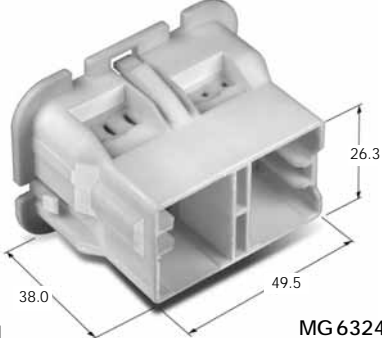

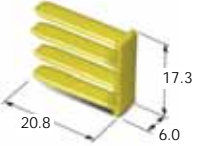
DOOR CONNECTOR

HOUSING

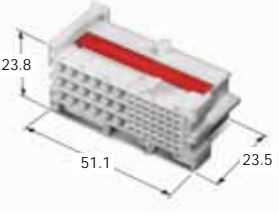
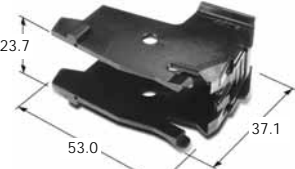

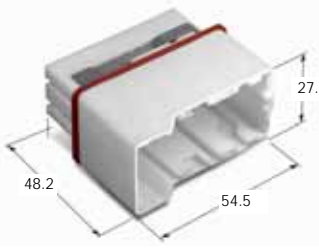


Poles	Plug housing for female terminal	Receptacle housing for male terminal		
29	<p>MG 610692</p>  <p>17.7 41.6 25.2</p>	<p>MG 630694-3</p>  <p>10.0 43.6 6.45</p>	<p>MG 620693</p>  <p>20.7 38.0 44.1</p>	<p>MG 630921-2</p>  <p>6.45 45.5 10.0</p> <p>630695-3</p>  <p>6.45 45.5 30.0</p>
	(090 7P+070 22P)			
31	<p>MG 640819-5</p>  <p>33.05 69.3 27.7</p>	<p>MG 630820-7</p>  <p>11.6 38.2 6.6</p>	<p>MG 650817-5</p>  <p>28.6 35.7 58.5</p>	
	(118 4P+070 27P)			
32	<p>MG 651013</p>  <p>25.0 45.8 22.0</p>	<p>MG 641016</p>  <p>29.0 41.0 49.2</p>		
	(187II 4P+090II 28P)			
34	<p>MG 611985-41</p>  <p>16.45 22.7 22.0</p>	<p>MG 631986-3</p>  <p>20.8 12.3</p>	<p>MG 621989</p>  <p>26.3 38.0 43.75</p>	<p>MG 631986-3</p>  <p>20.8 12.3</p>
	(090II 13P)			
	<p>MG 611987-5</p>  <p>16.4 22.7 19.0</p>	<p>MG 631988-1</p>  <p>12.8 21.0</p>	<p>MG 623129</p>  <p>26.3 38.0 43.75</p>	<p>MG 631988-1</p>  <p>12.8 21.0</p>
	(050 21P)			

DOOR CONNECTOR

HOUSING

Poles	Plug housing for female terminal	Receptacle housing for male terminal
36	<p>MG 611809(L)</p>  <p>16.9 27.5 22.0</p> <p>MG 631811-9</p>  <p>12.8 25.2</p> <p>611810-41(R)</p>  <p>16.9 27.5 22.0</p> <p>(090II 18P)</p>	<p>MG 621807</p>  <p>30.5 39.8 44.0</p> <p>MG 631808-3</p>  <p>13.0 28.5 4.0</p>
	<p>MG 611987-5</p>  <p>16.4 22.7 19.0</p> <p>(050 21P)</p> <p>MG 631988-1</p>  <p>12.8 21.0</p> <p>MG 612408-41</p>  <p>21.5 22.7 22.0</p> <p>(090II 18P)</p> <p>MG 632407-3</p>  <p>17.3 20.8 6.0</p>	<p>MG 622406</p>  <p>26.3 38.0 49.5</p> <p>MG 631988-1</p>  <p>12.8 21.0</p> <p>MG 632407-3</p>  <p>17.3 20.8 6.0</p>

LIF DOOR CONNECTOR

39	<p>MG653563</p>  <p>23.8 51.1 23.5</p> <p>(090III(ASC) 18P+040III 21P)</p>	<p>MG 633567-5(LEVER)</p>  <p>23.7 53.0 37.1</p> <p>MG 633786-7(LEVER)</p>  <p>23.7 53.0 37.1</p>	<p>MG 643174</p>  <p>27.5 48.2 54.5</p>	<p>MG 633337(PLATE-A)</p>  <p>36.5</p> <p>MG 633338(PLATE-B)</p>  <p>36.5</p>
----	---	---	---	---